

LED Module Cover Series

- LMC series provide both electrical and mechanical protection
- Prevents direct touch of the module parts
- Suitable for SELV and non-SELV applications
- Perfect fit for Helvar Components iC and LS modules
- Diffusing materials for glare reduction and even light distribution
- High light transmittance
- Screwable and robust mounting parts



LMC COVERS

IEC Halogen free



| | Cover variants available | Cover product code | Light transmittance | Cover material | Length | Fixing parts required per set | Module compatibility |
|----------|---|--------------------|---------------------|--------------------------------------|---------|-------------------------------|---|
| LMC-587 | LMC-587-C | 5194100 | 90% | Clear polycarbonate | 587 mm | 8 | 1 X LS-562 (or 2 X LS-282 / L-iC-282) |
| | LMC-587-O | 5194000 | 90% | Opal polycarbonate | | | |
| | LMC-587-MO | 5194200 | 75% | Matt opal polycarbonate | | | |
| LMC-1147 | LMC-1147-C | 5193100 | 90% | Clear polycarbonate | 1147 mm | 18 | 2 X LS-562 (or 4 X LS-282 / L-iC-282) |
| | LMC-1147-O | 5193000 | 90% | Opal polycarbonate | | | |
| | LMC-1147-MO | 5193200 | 75% | Matt opal polycarbonate | | | |
| LMC-1427 | LMC-1427-C | 5192100 | 90% | Clear polycarbonate | 1427 mm | 23 | 2 X LS-562 + 1 X LS-282 (or 5 X L-iC-282) |
| | LMC-1427-O | 5192000 | 90% | Opal polycarbonate | | | |
| | LMC-1427-MO | 5192200 | 75% | Matt opal polycarbonate | | | |
| CUSTOM | Clear, opal or matt opal cover in custom length | - | 90% / 75% | Clear, opal, matt opal polycarbonate | Custom | Custom | Custom |

LMC MOUNTING PARTS

| | Mounting part variants | Cover product code | Details | Mounting part material | Size (mm) | Required per set |
|--------------|------------------------|--------------------|------------------------|---------------------------|-----------------|-----------------------|
| END CAPS | LMC-EC-W | 5197000 | End cap, white | White polycarbonate + ABS | 32 x 23 x 21,4 | 2 |
| | LMC-EC-C | 5197100 | End cap, clear | Clear polycarbonate | 32 x 23 x 21,4 | 2 |
| FIXING PARTS | LMC-FX-S | 5195100 | Fixing part, screwable | Clear polycarbonate | 22 x 10.6 x 3,5 | Depends on set length |

Materials and conditions

MATERIALS

Polycarbonate

Clear
Opal

Polycarbonate + ABS blend

White

Material Specifications

| | |
|--|-------------------------|
| UV protected | Yes |
| Ball pressure test passed at | 125 °C (IEC 60695-10-2) |
| Glow-wire flammability test (GWFI) passed at | 650 °C (IEC 60695-2-12) |
| Halogen free according to | IEC 61249-2-21 |

Operating & Storage Conditions

| | |
|---|--------------|
| Operating temperature range | 0...+50 °C |
| Storage temperature range | -20...+80 °C |
| Assembly temperature range | +5...+30 °C |
| Do not store in wet or humid environment! | |

Without any additional sealing, cover itself cannot be used to provide higher classification against ingress of dust or moisture than IP20.

Suitable to use with module operating voltages up to 400 V.

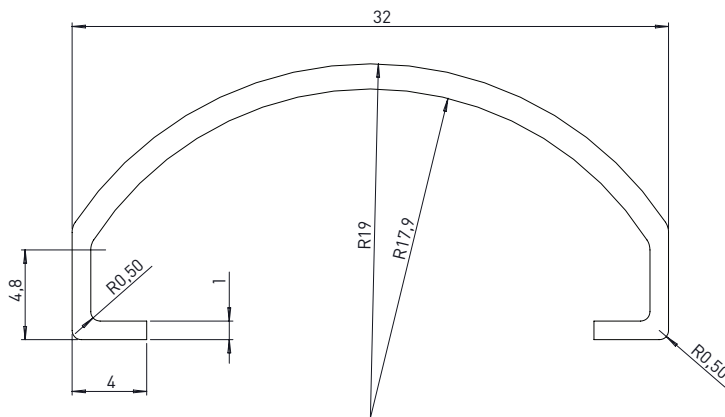
Conformity & Standards

| | |
|--|--|
| Luminaires - Part 1: General requirements and tests | IEC 60598-1:ed.8 2014 EN 60598-1:2015 |
| Luminaires - Part 2: Particular requirements. Section One: | IEC 60598-2-1:ed.1 1979 + A1:1987 EN 60598-2-1:1989 |
| Fixed general purpose luminaires | |

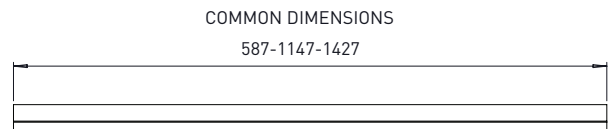
Compliant with relevant EU directives, CE marked, RoHS/REACH compliant

Dimensions

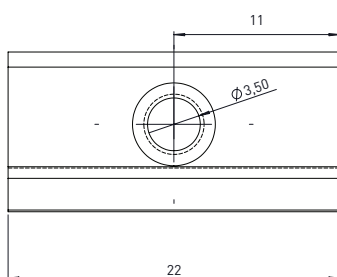
LMC COVERS



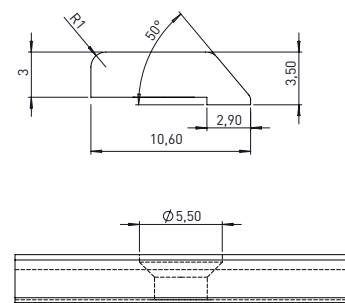
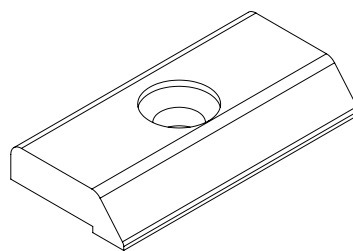
Tolerance for dimensions ± 0,1 mm



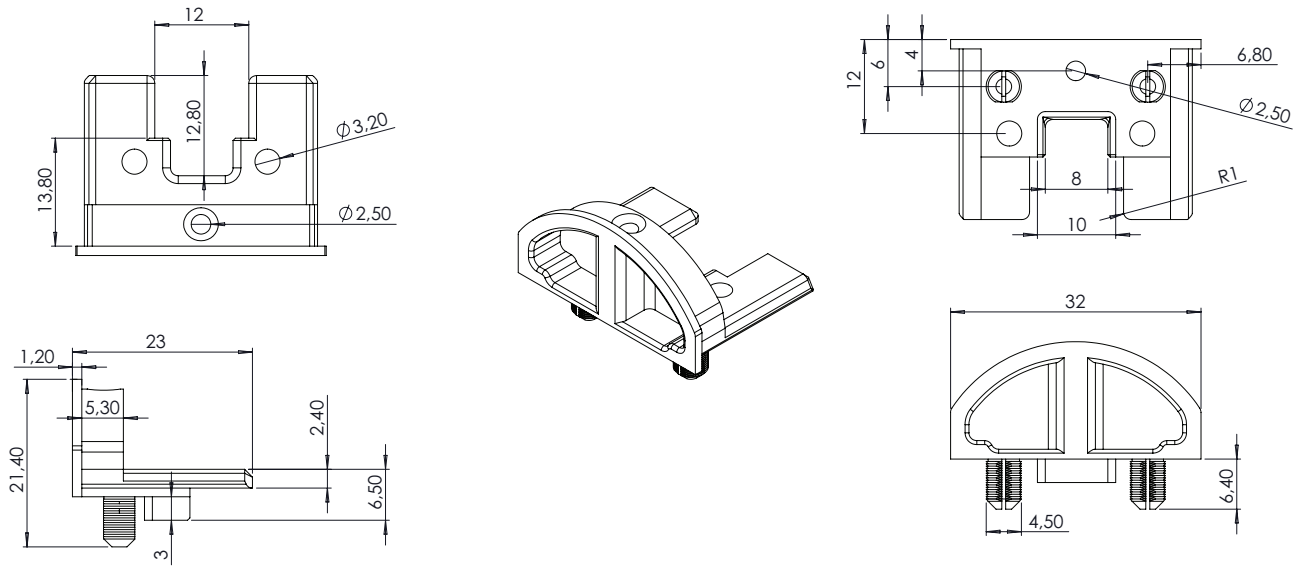
LMC-FX-S FIXING PART, SCREWABLE



Tolerance for dimensions ± 0,1 mm



LMC-EC-C/W END CAPS



Tolerance for dimensions $\pm 0,1$ mm

SCREW RECOMMENDATIONS

| | | Installation to metallic frame, hole with threads | Installation to metallic frame, hole without threads | Installation to plastic frame |
|-----------------------|------------|--|---|-------------------------------|
| Countersunk screws | Type | DIN 965 ZN PZ | DIN 7500M ZN PZ | WN 1423 ZN |
| | Dimensions | M3 | M3 | 3 |
| Pan head screws | Type | DIN 7985 ZN | DIN 7500C BN2723 ZN | WN 1412 ZN |
| | Dimensions | M3 | M3 | KA3 |

Refer to the applicable recommendations of the hole dimensions according to the screw type used in the installation.

ASSEMBLY INSTRUCTIONS

Please refer to separate Installation guide, available on product website's Download & Links section, for instructions of how to install the LMC covers onto Helvar Components iC and LS modules.