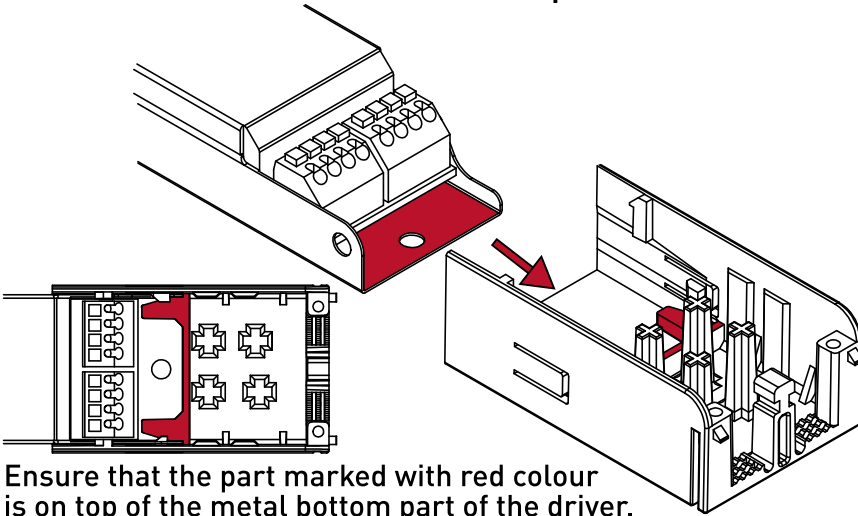


LL1x2135-SR Strain relief installation guide

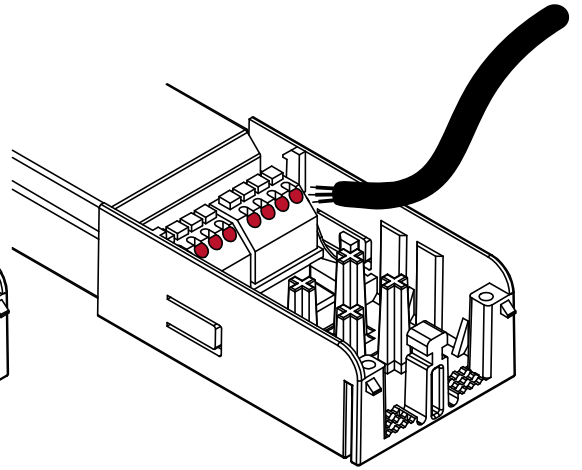
freedom in lighting

1. Lock the driver in the bottom part.



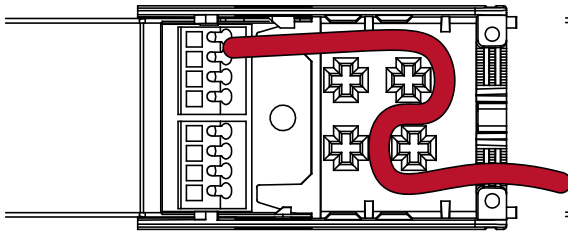
Ensure that the part marked with red colour is on top of the metal bottom part of the driver.

2. Connect wires according to driver datasheet.

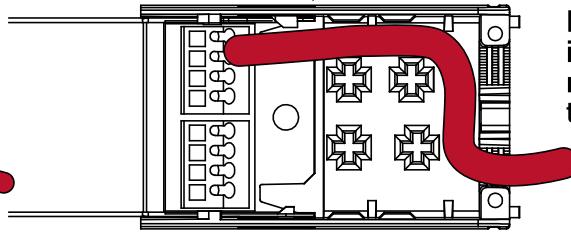


3. Examples for cable mounting into strain relief:

H03VV-F 2x0,75 mm²

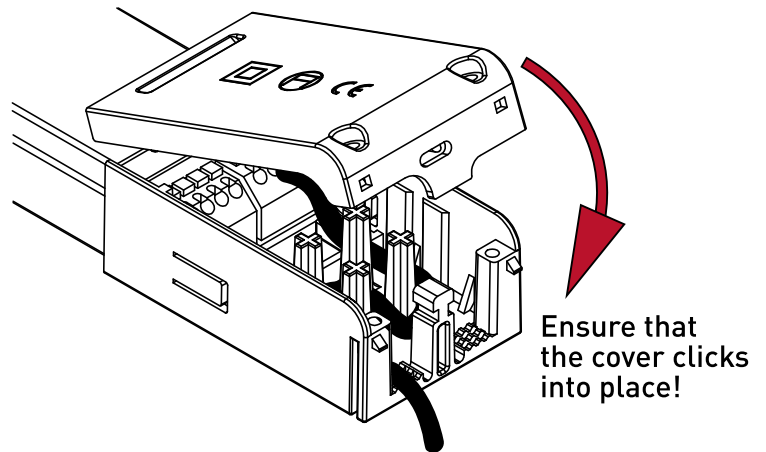
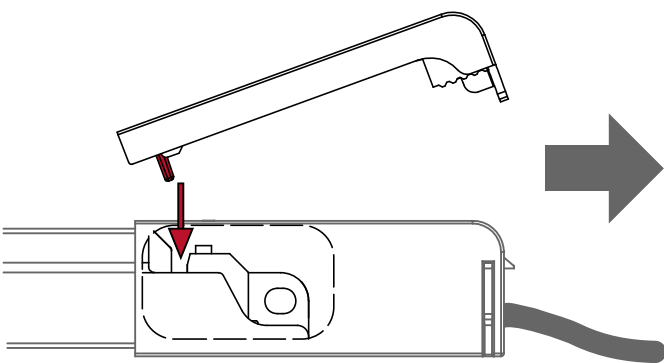


H05VV-F 3x1,0 mm²
MMJ 3x1,5 mm²
MMJ 5x1,5 mm²



Ensure that the cable is firmly and securely mounted into the strain relief!

4. Lock the cover on the bottom part.



Ensure that the cover clicks into place!

5. Optional when needed.
(Screws supplied in the strain relief package)

