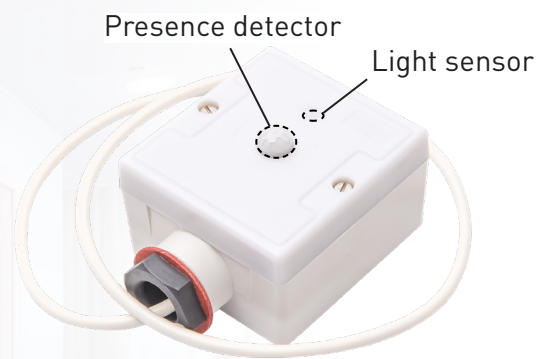


## Freedom luminaire-based sensor Series

Product code: 5632020

- Robust luminaire-based sensor that combines a constant light sensor and a passive infrared movement detector
- Can be used with Helvar Components Freedom driver + Node solutions when the control system supports it
- Rugged polycarbonate housing with IP65 rating to suit various environments
- Easy-to-seal external installation to luminaire enclosure.



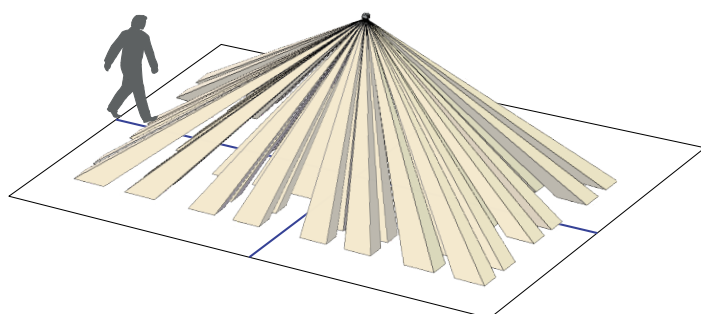
### KEY FEATURES

- Luminaire-based presence and ambient-light detection for smart solutions
- Unlock the full lighting comfort and energy saving potential in your luminaire
- IP65 protected sturdy sensor housing
- The cable exits the housing from the side through a threaded entry bush, providing a method of sealing a connection to a luminaire enclosure
- Compatible with the following Freedom wireless lighting control solutions: Casambi, Mount Kelvin and Mymesh by Chess.

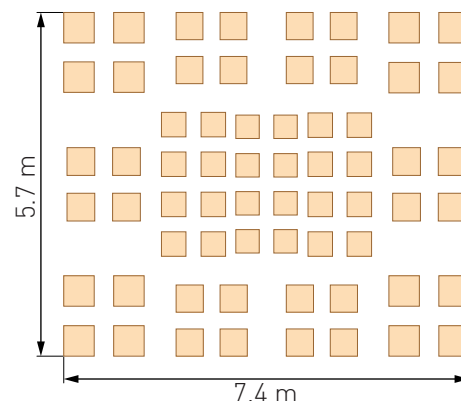
### ORDER CODES

Product name	Order code	Sensor casing colour	Cable length
<i>Freedom Sensors</i>			
<b>Freedom Sense Outdoor</b>	5632020	White	80 cm

### DETECTION



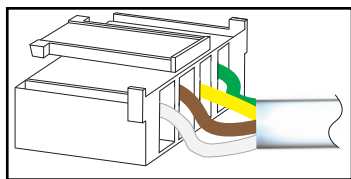
Presence detection coverage at 2.5 m height



Detection pattern at floor level for 2.5 m mounting height

# Freedom Sense

## CONNECTION



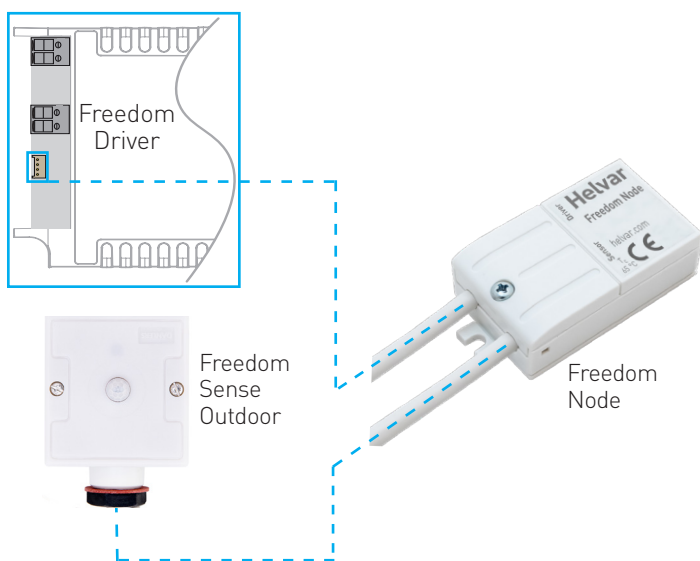
Connector side/rear view



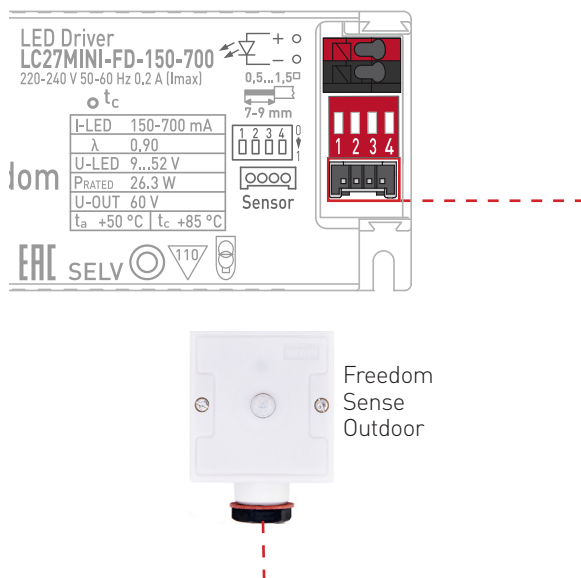
**Note:** Ensure each connector securely 'clicks' into place when plugged in correctly.

There are two set up scenarios:

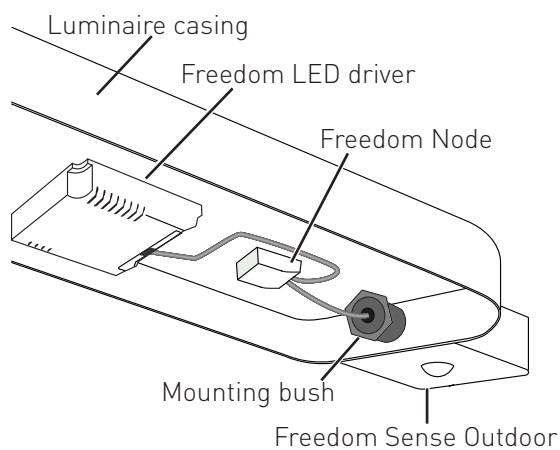
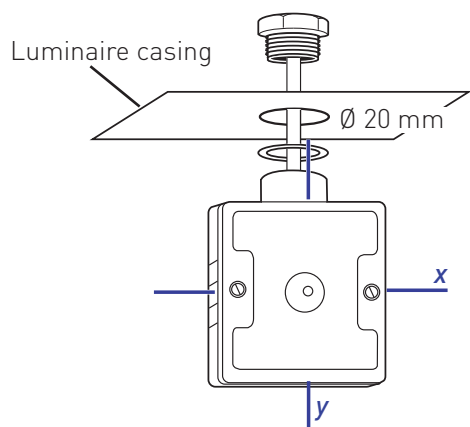
### Case 1 - Connection with Freedom driver and separate Freedom Node



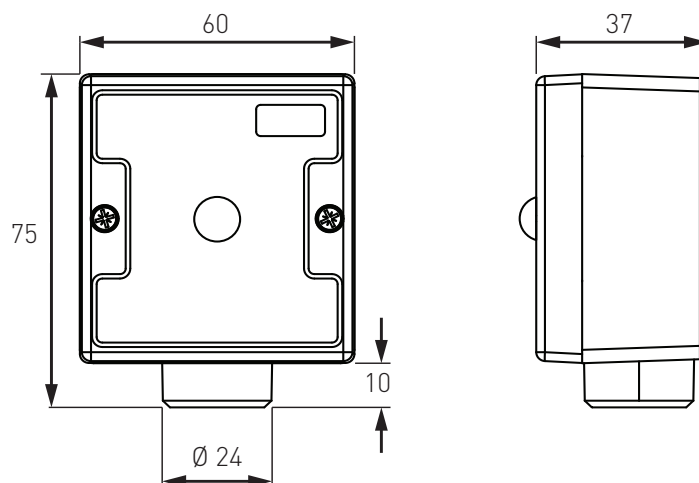
### Case 2 - Connection to Freedom driver with integrated radio unit (e.g. LC27MINI-FD-150-700)



## MOUNTING



## DIMENSIONS



## MATERIALS AND CONDITIONS

### Connections

Freedom solution 80 cm flexible cable terminated with a four-way, 2 mm locking connector.  
 Note: If the sensor is connected to non-SELV control gear, the luminaire must be Class I.

### Operating Conditions

Ambient temperature range -25...+50 °C  
 Note: the temperature difference between the detection target and the background must be at least 4 °C.  
 Relative humidity Max. 90 %, noncondensing  
 Storage temperature -25...+70 °C

### Power

Power consumption 3.3 V; 5 mA max.

### Conformity & Standards

EMC emission EN 55015  
 EMC Immunity EN 61547  
 Safety EN 61347-2-11

### Detection and mechanical data

Max. recommended mounting height 3 m  
 Presence detection coverage area 42.2 m<sup>2</sup> @ 2.5 m mounting height  
 Dimensions 60 mm x 75 mm x 37 mm  
 Mounting hole 20 mm  
 Material (casing) Fire-retardant polycarbonate  
 Colour White (RAL 9003)  
 Ingress protection rating IP65  
 Weight 92 g (with attached cable)

Compliant with relevant EU directives, CE / UKCA marked, RoHS compliant