

42 W SELV constant current LED driver

Product code: 5964xxx (see last page)

42 W 220 – 240 V 0 / 50 – 60 Hz

- Extremely compact and slim 22 mm high mechanics
- High efficiency up to 90 %
- SELV output protection for safety and flexibility in luminaires
- Low current ripple, complying with IEEE 1789 recommendation
- Suitable for use in emergency lighting applications
- Wide output voltage and current range for wide variety of luminaire setups
- Ideal solution for Class I and Class II luminaires
- For driving Class III (SELV) luminaires, optional strain reliefs for independent use outside of luminaire (LC-SR-MN22 or LC-SR-MN22-LOOP)*



*See also last page.



Functional Description

- Adjustable constant current output: 300 mA to 1050 mA (default)
- Wide 9 - 49 V output voltage range
- Long lifetime up to 100 000 hours
- Potted casing for improved durability
- Current setting via DIP switches
- Overload, open & short circuit protection

Mains Characteristics

Nominal rated voltage range	220 V – 240 V, 50 – 60 Hz
Rated emergency voltage range	198 VDC - 254 VDC
AC voltage range	198 VAC – 264 VAC
DC voltage range	180 VDC - 280 VDC
Mains current at full load	0.25 A
Frequency	50 Hz – 60 Hz
THD at full power	< 7 %
Tested surge protection	1 kV L-N (IEC 61000-4-5) 2 kV L/N-GND (IEC 61000-4-5)
Tested fast transient protection	1 kV (IEC 61000-4-4)

Insulation between circuits & driver case

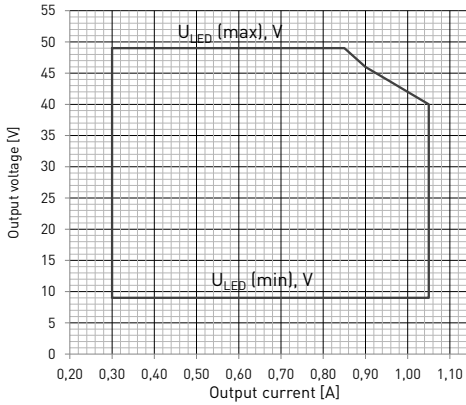
Mains circuit - SELV circuit	Double/reinforced insulation
Mains and output - Driver case	Double/reinforced insulation

Load Output (SELV <60 V)

Output current (I_{out})	300 mA – 1050 mA (default)
Accuracy	± 5 %
Ripple	< ±3 % ¹⁾ at ≤ 120 Hz
	1) Low frequency
PstLM	< 0.05 ²⁾
SVM	< 0.01 ²⁾
	2) At full power, measured with Cree XP-G LED modules.
U_{out} (max) (abnormal)	60 V
EOF _I (EL use)	> 0.98 x output current with AC supply

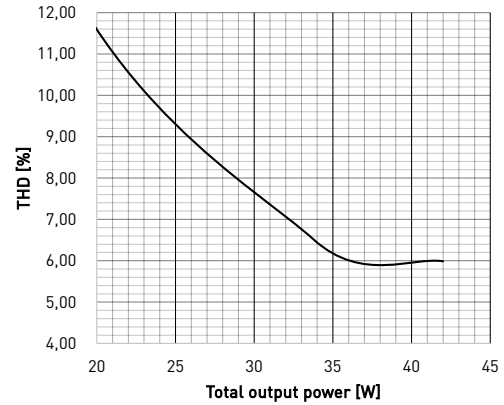
I_{LED}	300 mA	850 mA	1050 mA
P_{Rated}	14.7 W	41.7 W	42 W
U_{LED}	9 – 49 V	9-49 V	9 – 40 V
PF (λ) at full load	0.90	0.97	0.97
Efficiency (η) at full load	88 %	90 %	88 %

Operating window and driver performance

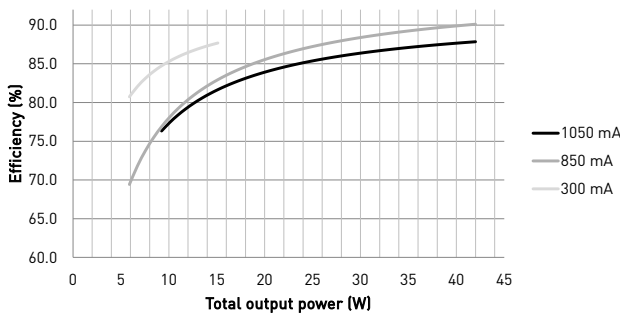


Current value is adjustable in steps via DIP switch.
See DIP switch settings in page 4 for details.

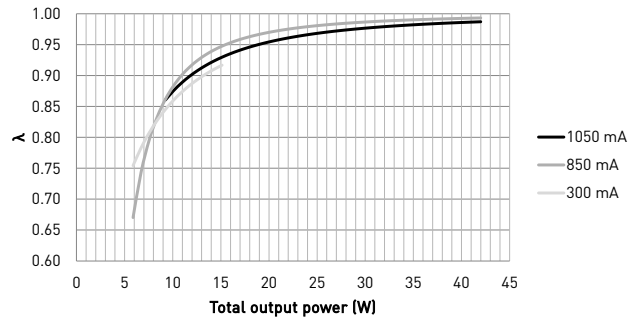
Current THD



Typical efficiency



Typical power factor



Operating Conditions and Characteristics

Absolute highest allowed t_c point temperature	90 °C
T_c life (50 000 h) temperature	80 °C
Ambient temperature range*	-20 °C .. +45 °C*
Storage temperature range	-40 °C .. +80 °C
Maximum relative humidity	No condensation
Mains switching cycles	> 100 000 cycles
Life time (90 % survival rate)	100 000 h, at $t_c = 68$ °C 70 000 h, at $t_c = 75$ °C 50 000 h, at $t_c = 80$ °C

*) For other than independent use, higher t_a of the controlgear possible as long as highest allowed t_c point temperature is not exceeded

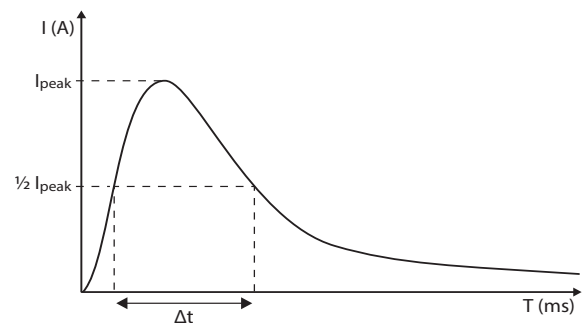
Quantity of drivers per miniature circuit breaker 16 A Type C

Based on inrush current I_{peak}	Typ. peak inrush current I_{peak}	1/2 value time, Δt
150 pcs*	10.5 A	30 μ s

*Inrush current is not the limiting factor for the products per C 16 A MCB, please notice the continuous current limitations.

CONVERSION TABLE FOR OTHER TYPES OF MINIATURE CIRCUIT BREAKER

MCB type	Relative quantity of LED drivers
B 10 A	37 %
B 16 A	60 %
B 20 A	75 %
C 10 A	62 %
C 16 A	100 % (see table above)
C 20 A	125 %



CONTINUOUS CURRENT

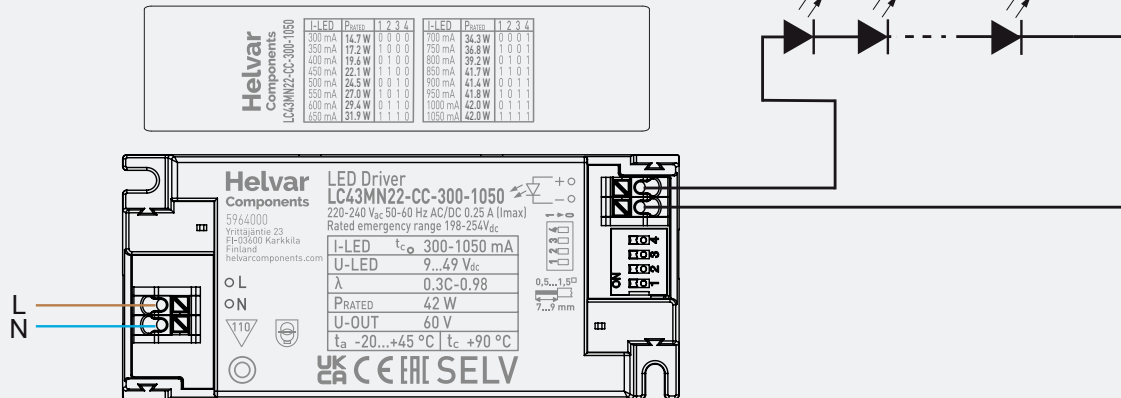
Total continuous current of the drivers and installation environment must always be considered and taken into calculations when installing drivers behind miniature circuit breaker. Example calculation of total drivers amount limited by continuous current: $n(I_{cont}) = [16 A (I_{nom,Ta}) / \text{"nominal mains current with full load"}] \times 0.76$. This calculation is an example according to recommended precautions due to multiple adjacent circuit breakers (> 9 MCBs) and installation environment (T_a 30 degrees); variables may vary according to the use case. Both inrush current and continuous current calculations are based on ABB S200 series circuit breakers. More specific information in ABB series S200 circuit breaker documentation.

NOTE! Type C MCB's are strongly recommended to use with LED lighting. Please see more details in "MCB information" document in each driver product page in "downloads & links" section.

Connections and Mechanical Data

Wire size	0.5 mm ² – 1.5 mm ²
Wire type	Solid core and fine-stranded
Wire insulation	According to EN 60598
Maximum driver to LED wire length	1.5 m
Weight	110 g
IP rating	IP20

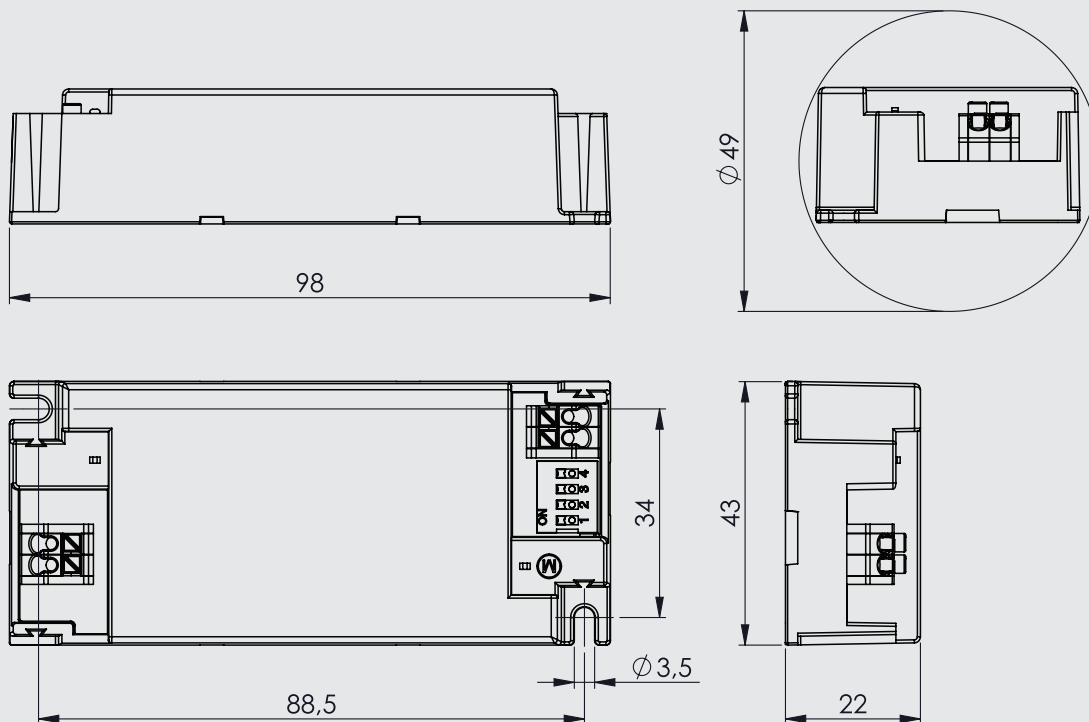
Connections



Note:

- Not suitable for load side switching operation

Dimensions (mm)



In LC43MN22-CC-300-1050, the current can be set with DIP switches. With each combination of switch setup, a different output current value can be set. The maximum value can be reached with the DIP switch setting presented below and minimum with all switches set to "0" (pushed away from the LED driver label, see connections picture above). The output current values according to the DIP switch settings are presented below.

DIP switch combinations, output currents and voltage ranges (Nominal I_{out} ($\pm 5\%$ tol.))

DIP switch combination	1111	0111	1011	0011	1101	0101	1001	0001
I_{out} (mA)	1050	1000	950	900	850	800	750	700
Voltage range	9 - 40 V	9 - 42 V	9 - 44 V	9 - 46 V	9 - 49 V	9 - 49 V	9 - 49 V	9 - 49 V
DIP switch combination	1110	0110	1010	0010	1100	0100	1000	0000
I_{out} (mA)	650	600	550	500	450	400	350	300
Voltage range	9 - 49 V	9 - 49 V	9 - 49 V	9 - 49 V	9 - 49 V	9 - 49 V	9 - 49 V	9 - 49 V

LC43MN22-CC-300-1050 LED driver is suited for built-in usage in luminaires. With external strain relief (LC-SR-MN22 or LC-SR-MN22-LOOP), independent use is possible too. In order to have safe and reliable LED driver operation, the LED luminaires will need to comply with the relevant standards and regulations (e.g. IEC/EN 60598-1). The LED luminaire shall be designed to adequately protect the LED driver from dust, moisture and pollution. The luminaire manufacturer is responsible for the correct choice and installation of the LED drivers according to the application and product datasheets. Operating conditions of the LED drivers may never exceed the specifications as per the product datasheet.

Installation & operation

Maximum ambient and t_c temperature:

- For built-in components inside luminaires, the t_a ambient temperature range is a guideline given for the optimum operating environment. However, integrator must always ensure proper thermal management (i.e. mounting base of the driver, air flow etc.) so that the t_c point temperature does not exceed the t_c maximum limit in any circumstance.
- Reliable operation and lifetime is only guaranteed if the maximum t_c point temperature is not exceeded under the conditions of use.

Current setting via DIP switch

LC43MN22-CC-300-1050 LED driver features a constant current output adjustable via DIP switch combinations

- For the combination/current values, refer to the table on page 4.
- Only the DIP switch settings presented in the table must be used.

Miniature Circuit Breakers (MCB)

- Type-C MCB's with trip characteristics in according to EN 60898 are recommended.
- Please see more details in "MCB information" document in each driver product page in "downloads & links" section.

Lamp failure functionality

No load

When open load is detected, driver limits output voltage according to $U_{out} (max)$ (abnormal).

Overload

The driver can withstand overload.

Short circuit

Driver can withstand output short circuit and after resolving the fault, driver recovers normal operation automatically.

Conformity & standards

General and safety requirements	EN 61347-1
Particular safety requirements for DC or AC supplied electronic control gear for LED modules	EN 61347-2-13
Additional safety requirements for AC or DC supplied electronic controlgear for emergency lighting	EN 61347-2-13, Annex J
Mains current harmonics	EN 61000-3-2
Limits for voltage fluctuations and flicker	EN 61000-3-3
Radio frequency interference	EN 55015
Immunity standard	EN 61547
Performance requirements	EN 62384
Recommended Practices for Modulating Current in High-Brightness LEDs for Mitigating Health Risks to Viewers	IEEE1798 - 2015
Compliant with relevant EU directives	
RoHS / REACH compliant	
ENEC (pending) and CE/UKCA marked	

Label symbols



Safety isolating control gear with short circuit protection (SELV control gear).



Double insulated control gear suitable for built-in use.



Thermally controlled control gear, incorporating means of protection against overheating to prevent the case temperature under any conditions of use from exceeding 110 °C.



(Pending) AC/DC supplied electronic control gear for emergency lighting purposes intended for connection to a centralized emergency power supply.

LC43MN22-CC-300-1050 LED driver can be ordered as just the built-in LED driver itself or then as a combination package with strain reliefs for input and output side. Input strain relief is a LOOPing model with the connector block inside, output strain relief is simple model with screw tightening. Everything is preassembled from the factory, ready to be connected to your LED luminaire! Please refer to the order codes in the table below.

ORDER CODES

	Order code	Product name	What is included
<i>LC43MN22-CC-300-1050</i>			
Product order codes	5964000	LC43MN22-CC-300-1050	LC43MN22-CC-300-1050 LED driver
	5964010	LC43MN22-CC-300-1050-SR	LC43MN22-CC-300-1050 LED driver and 2 x LC-SR-MN22 strain reliefs (input + output), preassembled
	5964020	LC43MN22-CC-300-1050-LOOP-A	LC43MN22-CC-300-1050 LED driver and LC-SR-MN22-LOOP + LC-SR-MN22 strain reliefs (input + output), preassembled
	5966100	LC-SR-MN22	1 x Strain relief, screwable
	5966300	LC-SR-MN22-LOOP	1 x Strain relief, LOOP model

