

Active+ Sense

The Active+ Sense is a small luminaire-based sensor that combines a light sensor for constant light control and a passive infrared movement detector

This sensor can be used on the intelligent luminaire stand-alone control solution Active+.

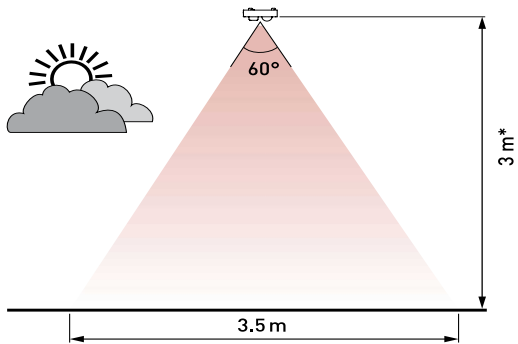
The Active+ Sense plugs in the Active+ LED driver for Active+ usage.

If the sensor is connected to non-SELV control gear, the luminaire must be Class I.

Key Features

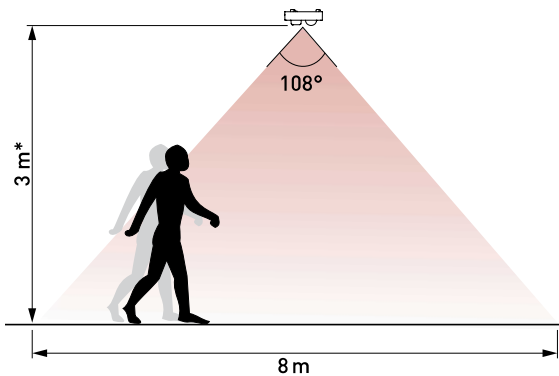
- Small and inconspicuous, it does not change the appearance of the luminaire.
- Provided with mounting features that can be snapped into sheet metal: two on each long side, and two on the rear.

Light Sensor - For constant light functions

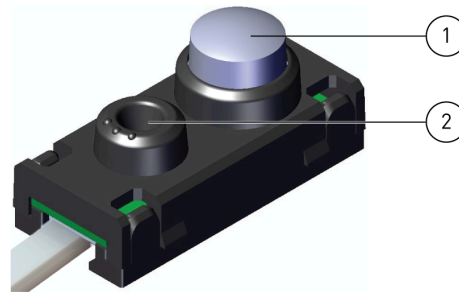


* Max recommended height 3 m

Presence Detector - Passive infrared (PIR)

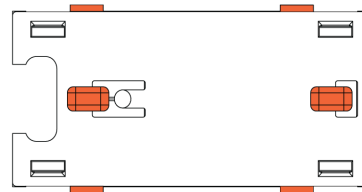
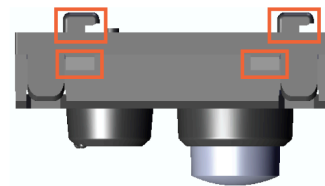


* Max recommended height 4 m

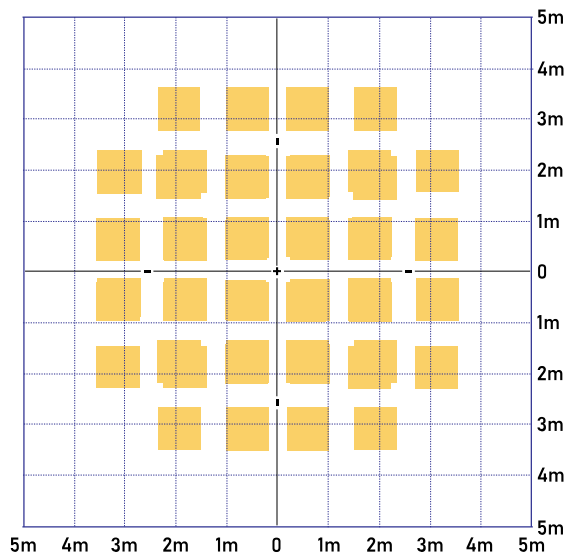


1. PIR sensor
2. Light sensor


Mounting Features



Detection pattern at floor level for 2.5 meters mounting height






Technical Data

Connections	
Active+:	Flexible cable terminated with a fourway, 2 mm keyed connector  Note: If the sensor is connected to nonSELV control gear, the luminaire must be Class I.

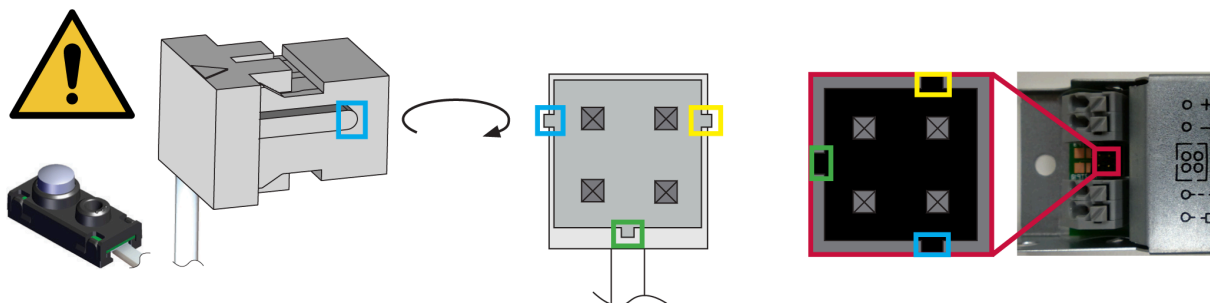
Mechanical data	
Dimensions:	50 mm × 20 mm × 10 mm
Weight:	12 g
IP rating:	IP20

Cable information	
Order Code: 3021010	Length: 80 cm, Colour: White

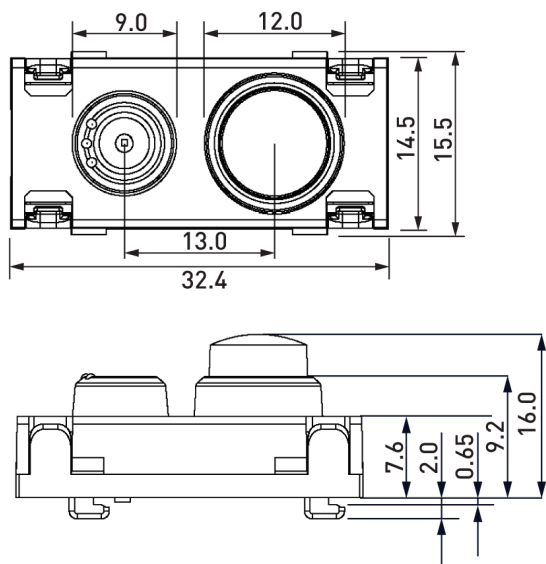
Operating and storage conditions	
Ambient temperature:	-20 °C to +50 °C  Note: The temperature difference between the detection target and the background must be at least 4 °C.
Relative humidity:	Max. 85 %, non-condensing
Storage temperature:	-20 °C to +70 °C
Illuminance:	5 lx to 5000 lx

Conformity and standards	
Conformity:	 
EMC emission:	EN 55015
EMC immunity:	EN 61547
Safety:	EN 61347-2-11
Environment:	Complies with RoHS directive.

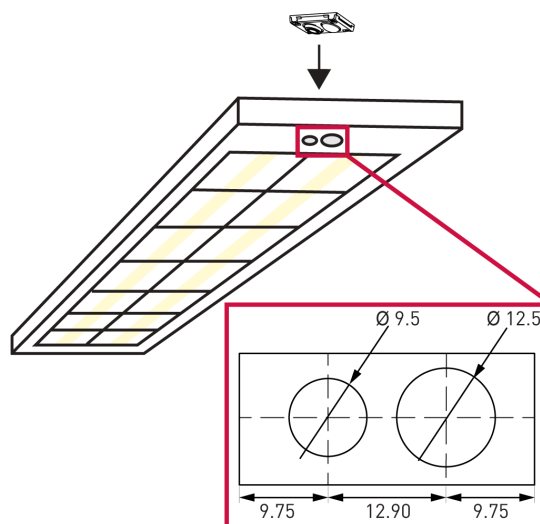
Connection



Dimensions (mm)



Mounting



Note: Sensor holders are available to be used with the Active+ Sense:

5691 - ActiveAhead Sense Rectangular Sensor holder

5692 - ActiveAhead Sense Circular Sensor holder